

User Guide | Guide de l'utilisateur | Guía del Usuario



Executive Shelf System with CD and AM/FM Tuner
Lecteur de CD de salon haut de gamme avec syntoniseur AM/FM
Sistema de audio tipo ejecutivo con CD y sintonizador de AM/FM

NS-A2110

Insignia NS-A2110 Executive Shelf System

Contents

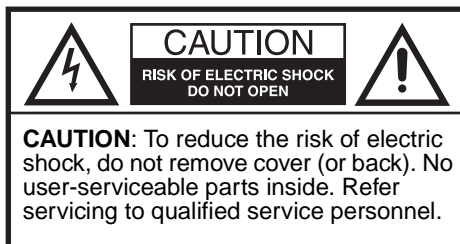
Welcome	3
Safety information	3
Features	7
Setting up your shelf system	8
Using your shelf system	9
Troubleshooting	12
Maintaining your shelf system	13
Legal notices	14
Warranty	15
Français	17
Español	33

Welcome

Congratulations on your purchase of a high-quality Insignia product. Your NS-A2110 represents the state of the art in executive shelf systems and is designed for reliable and trouble-free performance.

Safety information

To prevent fire or shock hazard, do not plug the power cord into an extension cord, receptacle, or other outlet unless the blades can be fully inserted to prevent blade exposure. To prevent fire or shock hazard, do not expose this appliance to rain or moisture.





The lightning flash with arrowhead symbol within a triangle is intended to alert you to the presence of uninsulated dangerous voltage within your shelf system's enclosure that may be of sufficient magnitude to constitute risk of electric shock to persons.



The exclamation point within a triangle is intended to alert you to the presence of important operating and maintenance (servicing) instructions in the literature accompanying your shelf system.

Warning

Your shelf system uses a laser system. Follow all operating instructions in this guide, and save this guide for future reference. If your shelf system requires servicing, contact the seller or our service center.

To prevent direct exposure to the laser radiation, do not open the case. Invisible laser radiation is present when the case is opened or the interlocks are defeated. Do not stare into the laser beams.

Use of any controls, adjustments, or procedures other than those specified herein may result in hazardous radiation exposure.

Caution

Any change or modification to your shelf system not expressly approved by the manufacturer or its authorized parties could void your authority to operate your shelf system.

Caution:

Your shelf system should not be exposed to water (dripping or splashing) and no objects filled with liquids, such as vases, should be placed on it.

Important safeguards

- **Read instructions**—Read all the safety and operating instructions before operating your shelf system.
- **Retain instructions**—Retain the safety and operating instructions for future reference.
- **Follow warnings**—Follow all warnings on your shelf system and in the operating instructions.
- **Follow instructions**—Follow all operating and use instructions.

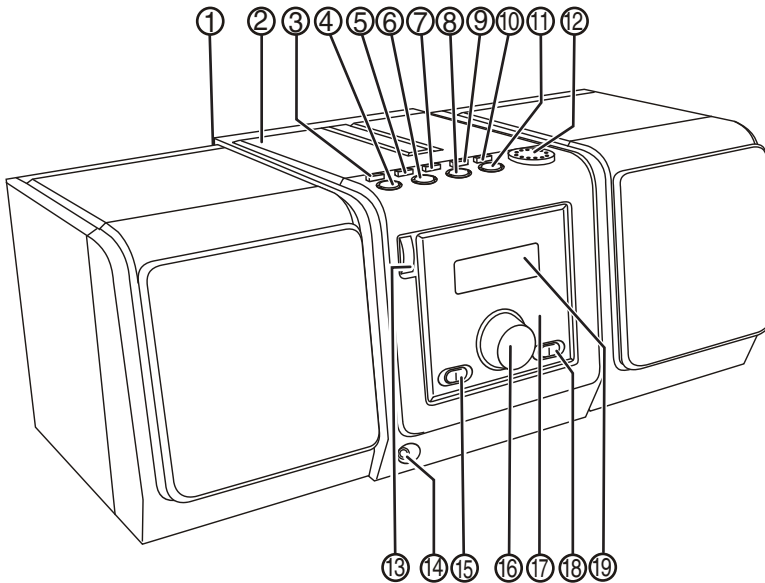
- **Cleaning**—Unplug your shelf system from the power outlet before cleaning. Do not use liquid cleaners or aerosol cleaners. Use a damp cloth for cleaning.
- **Attachments**—Do not use attachments not recommended by Insignia because they may cause hazards.
- **Water and moisture**—Do not use your shelf system near water, for example, near a bath tub, in a wet basement, or near a swimming pool.
- **Ventilation**—To ensure reliable operation of your shelf system and to protect it from overheating, ventilation slots and openings are provided in the cabinet back or bottom. Do not block these openings. Do not place your shelf system on a bed, sofa, rug, or other similar surface. Your shelf system should never be placed near or over a radiator or heat register. Do not place your shelf system in a built-in installation such as a bookcase or rack unless correct ventilation is provided or the manufacturer's instructions have been adhered to.
- **Power sources**—Use only the type of power source indicated on the marking label. If you are not sure of the type of power supply to your home, consult your shelf system dealer or local power company. For shelf systems intended to operate from battery power or other sources, refer to the operating instructions.
- **Grounding or polarization**—Your shelf system is equipped with a polarized alternating-current line plug (a plug having one blade wider than the other). This plug will fit into the power outlet only one way. This is a safety feature. If you are unable to insert the plug fully into the outlet, try reversing the plug. If the plug should still fail to fit, contact your electrician to replace your obsolete outlet. Do not defeat the safety purpose of the polarized plug.
- **Power cord protection**—Route power supply cords so that they are not likely to be walked on or pinched by items placed upon or against them, paying particular attention to cords at plugs, convenience receptacles, and the point where they exit from your shelf system.
- **Lightning**—For added protection for your shelf system during a lightning storm, or when it is left unattended and unused for long periods of time, unplug it from the power outlet and disconnect the antenna or cable system. This will prevent damage to your shelf system due to lightning and power line surges.
- **Overloading**—Do not overload power outlets and extension cords because this can result in a risk of fire or electric shock.

- **Object and liquid entry**—Never push objects of any kind into your shelf system through openings, because they may touch dangerous voltage points or short out parts that could result in a fire or electric shock. Never spill liquid of any kind on your shelf system.
- **Servicing**—Do not attempt to service your shelf system yourself, because opening or removing covers may expose you to dangerous voltage or other hazards. Refer all servicing to qualified service personnel.
- **Damage requiring service**—Unplug your shelf system from the power outlet and refer servicing to qualified service personnel under the following conditions:
 - When the power supply cord or plug is damaged or frayed.
 - If liquid has been spilled, or objects have fallen into your shelf system.
 - If your shelf system has been exposed to rain or water.
 - If your shelf system does not operate normally by following the operating instructions. Adjust only those controls that are covered by the operating instructions, because incorrect adjustment of other controls may result in damage and often requires extensive work by a qualified technician to restore your shelf system to its normal operation.
 - If your shelf system has been dropped or damaged in any way.
 - When your shelf system exhibits a distinct change in performance.
- **Replacement parts**—When replacement parts are required, make sure that the service technician uses replacement parts specified by the manufacturer that have the same characteristics as the original part. Unauthorized substitutions may result in fire, electric shock, injury to persons, or other hazards.
- **Safety check**—Upon completion of any service or repairs to your shelf system, ask the service technician to perform routine safety checks to determine that your shelf system is in correct operating condition.
- **Heat**—Place your shelf system away from heat sources such as radiators, heat registers, stoves, or other products (including amplifiers) that produce heat.

Caution

To prevent electric shock, match the wide blade of plug to the wide slot in the power outlet and fully insert the plug.

Features



#	Description	Function
1	FM antenna	Improves reception of FM radio signals.
2	CD door	Open to insert or remove a CD.
3	REPEAT button	Press to repeat a track or the entire CD.
4	PLAY/PAUSE ► button	Press to play or pause the CD.
5	PROGRAM button	Press to program CD playback.
6	STOP ■ button	Press to stop CD playback or delete a program.
7	TIME SET button	Press to set the time of day.
8	SKIP/SEARCH DN button	Press to skip to the previous CD track or to search the CD for the track you want.
9	HOUR button	Press to set the hour.
10	MINUTE button	Press to set the minute.
11	SKIP/SEARCH UP button	Press to skip to the next CD track or to search the CD for the track you want.
12	VOLUME control	Turn to raise and lower volume.
13	POWER button	Press to turn the player on or off.
14	Stereo headphone jack	Connect stereo headphones here.
15	FUNCTION switch	Slide to select Radio or CD.

#	Description	Function
16	TUNING knob	Turn to tune to desired radio station.
17	FM stereo indicator	Indicates if the radio is receiving FM stereo.
18	BAND selector	Choose from AM, FM, or FM ST.
19	Display	Displays the clock as well as information about the CD or radio.

Setting up your shelf system

Connecting the power cord

To use AC power:

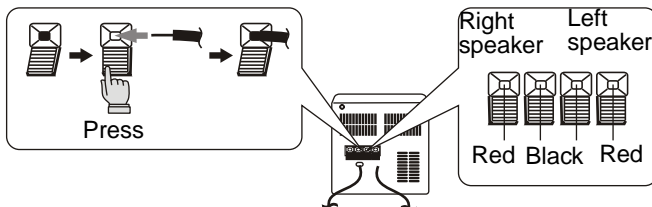
- 1 Make sure that your local AC power source matches the voltage shown on the plate located inside the battery compartment. If it does not, consult your dealer or service center.
- 2 Connect the power cord to the AC power connector on the shelf system, then plug it into the AC power outlet.
- 3 To completely turn off the shelf system, unplug the power cord from the AC power outlet.

Caution

To protect your shelf system, unplug the power cord from the AC power outlet during heavy thunderstorms.

Connecting the speakers

Connect the speaker wires to the back of the CD/Radio player as shown in the following illustration.



Setting the time

To set the time:

- 1 Plug in your shelf system and turn it on by pressing the **POWER** button.
- 2 Press and hold the **TIME SET** button, then press the **HOUR** button until the correct hour is shown on the display.
- 3 Press the **MINUTE** button until the correct minute is shown on the display.
- 4 Turn off the shelf system by pressing the **POWER** button.

Using your shelf system

Using the radio

To use the radio:

- 1 Press the **POWER** button to turn on the shelf system.
- 2 Slide the function selector to **RADIO**.
- 3 Slide the band selector to **FM ST.** (stereo), **AM**, or **FM**.
- 4 Rotate the **TUNING** knob to the station you want.
 - For FM listening, adjust the antenna for the best signal.
 - For AM listening, rotate the player for the best signal (it has a built-in antenna).

Note

The FM Stereo indicator LED lights when you tune to an FM stereo station, if the BAND selector is set to **FM ST.**

- 5 Adjust the sound level with the **VOLUME** control.
- 6 For private listening, plug your stereo headphones into the stereo headphone jack on top of the player. The speakers mute automatically.

Warning

To avoid damaging your hearing, set the volume to a low level before putting on the headphones, then adjust the volume up to a comfortable level.

- 7 To turn the radio off, press the **POWER** button.

Using the CD player

The CD player can play audio discs, including CD-R and CD-RW discs. The CD player is not compatible with CD-ROM, CDI, VCD, DVD, or computer CDs.

Note

- CD-R and CD-RW discs must be finalized to play in this CD player.

To use the CD player:

- 1 Slide the function selector to **CD**.
- 2 Open the CD door by lifting the door at the point marked **OPEN/CLOSE**.
- 3 Insert a disc with the printed side up, then close the CD door.
- 4 Press the **PLAY/PAUSE ►||** button to start playback.
 - To pause playback, press the **PLAY/PAUSE ►||** button.
 - To resume playback, press the **PLAY/PAUSE ►||** button again.
- 5 Adjust the sound level with the **VOLUME** control.
- 6 For private listening, plug your stereo headphones into the headphone jack on top of the player. The speakers mute automatically.

Warning

To avoid damaging your hearing, set the volume to a low level before putting on the headphones, then adjust the volume up to a comfortable level.

- 7 Press the **STOP ■** button to stop the CD playback.

Note

Playback also stops when:

- You open the CD door
- You select the **RADIO** sound source
- The CD is finished

Selecting a different track

To select a different track on a CD:

- 1 Press the **SKIP/SEARCH UP** button once for the next track, or press repeatedly until the track you want appears on the display.
- 2 Press the **SKIP/SEARCH DN** button once to return to the beginning of the current track, or press repeatedly to go to a previous track until the track you want appears on the display.
- 3 If you selected a track while the CD is stopped or paused, press **PLAY/PAUSE ►||** to begin playback.

Locating a specific passage

To locate a specific passage within a track:

- 1 Press and hold the **SKIP/SEARCH UP** button or the **SKIP/SEARCH DN** button.
- 2 When you reach the passage you want, release the button. Normal playback resumes.

Repeating portions of a CD

To use Repeat mode:

- Press the **REPEAT** button once (*REPEAT* appears on the display) to repeat the current track.
- Press the **REPEAT** button again (*ALL REPEAT* appears on the display) to repeat the entire CD.
- Press the **REPEAT** button again to cancel repeat mode and return to normal playback.

Programming playback

You can program as many as 20 tracks to play in the order you designate, and repeat any track more than once. An existing program can be edited in the same way.

To program playback:

- 1 In Stop mode, press **PROG**. *PROGRAM* appears on the display.
- 2 Press **SKIP/SEARCH UP** or **SKIP/SEARCH DN** to select the track you want.
- 3 When the track you want appears on the display, press the **PROGRAM** button to store the track in memory.
- 4 Repeat Steps 2 and 3 to select additional tracks.
- 5 Press **PLAY/PAUSE** ►|| to play your program.

To erase a program:

- Open the CD door
- Or -
- Select the **RADIO** source with the function selector

To repeat a single track of a program:

- 1 Press **REPEAT** while the track is playing.
- 2 To cancel repeat, press **REPEAT** twice.

To repeat an entire program:

- 1 Press **REPEAT** twice while the program is playing.
- 2 To cancel repeat, press **REPEAT** again.

Troubleshooting

Caution

Do not try to repair the shelf system yourself. Doing so will invalidate your warranty.

Problem	Possible cause	Solution
No sound or power	Volume too low.	Turn up the volume.
	AC power cord not securely connected.	Connect the AC power cord.
The CD does not play	The CD was incorrectly inserted.	Reinsert the CD, label side up.
	The CD is defective.	Try another CD.
	The CD compartment is not closed.	Close the CD door.
	There is condensation in the CD compartment.	Remove the CD and leave the cover open for about an hour in a dry environment.
No disc indicated on the display	No CD inserted.	Insert a CD, CD-R, or CD-RW disc.
	The CD is badly scratched or dirty.	Clean the CD if it's dirty. Replace the CD if it's defective.
	There is condensation in the CD compartment.	Remove the CD and leave the cover open for about an hour in a dry environment.
	You are using a CD-R or CD-RW that is blank or the disc has not been finalized.	Use a finalized CD-R or CD-RW.
No sound in the headphones.	The headphone jack is not correctly inserted.	Reinsert the headphone plug into the jack.
	The volume control is turned down.	Increase the volume.
	The CD is defective.	Try another CD.
The CD skips during play.	The CD or lens is dirty.	Clean or replace the CD, or clean the lens.
	Strong shaking or vibrations	Place the shelf system on a flat and stable surface without vibration.
	The CD player is programmed to skip a track.	Quit the Program mode.

Problem	Possible cause	Solution
No sound or poor sound on the radio.	The station is not tuned in correctly.	Retune the station.
	FM—The antenna is not correctly adjusted.	Adjust the FM antenna for better reception.
	AM—The player is not positioned for good reception.	Rotate the player for better reception.

Maintaining your shelf system

Note

The mechanical part of this shelf system contains self-lubricating bearings and must not be oiled or lubricated.

Cleaning the case

Wipe with a soft cloth. If the case is very dirty, moisten the cloth with a weak solution of non-caustic detergent and water.

Cleaning the lens

A dirty lens can cause skipping and can even stop the CD player from working.

To clean dry particles and dust from the lens:

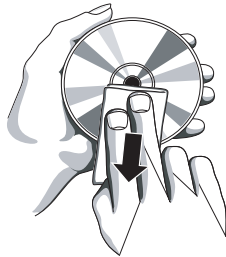
- 1 Open the CD cover.
- 2 Use a camera lens puffer/brush to blow repeatedly on the lens, then wipe with the brush to remove dust.
- 3 Blow again to remove loose particles.

To clean fingerprints from the lens:

- If the lens does not come clean with the puffer/brush, wipe it with a soft cotton cloth.

Cleaning CDs

Using a soft cleaning cloth, wipe the CD from the center outwards.

**Caution**

Do not use solvents such as benzene, thinners, commercial cleaning fluids, or anti-static sprays designed for vinyl records.

Legal notices

© 2007 Insignia. Insignia and the Insignia logo are trademarks of Best Buy Enterprise Services, Inc. Other brands and product names are trademarks or registered trademarks of their respective holders. Specifications and features are subject to change without notice or obligation.

For service and support call (877) 467-4289.

Warranty

90-day limited warranty

Insignia Products (“Insignia”) warrants to you, the original purchaser of this new shelf system (“Product”), that the Product shall be free of defects in the original manufacture of the material or workmanship for a period of 90 days from the date of your purchase of the Product (“Warranty Period”). This Product must be purchased from an authorized dealer of Insignia brand products and packaged with this warranty statement. This warranty does not cover refurbished Product. If you notify Insignia during the Warranty Period of a defect covered by this warranty that requires service, terms of this warranty apply.

How long does the coverage last?

The Warranty Period lasts for 90 days from the date you purchased the Product. The purchase date is printed on the receipt you received with the Product.

What does this warranty cover?

During the Warranty Period, if the original manufacture of the material or workmanship of the Product is determined to be defective by an authorized Insignia repair center or store personnel, Insignia will (at its sole option): (1) repair the Product with new or rebuilt parts; or (2) replace the Product at no charge with new or rebuilt comparable products or parts. Products and parts replaced under this warranty become the property of Insignia and are not returned to you. If service of Products or parts are required after the Warranty Period expires, you must pay all labor and parts charges. This warranty lasts as long as you own your Insignia Product during the Warranty Period. Warranty coverage terminates if you sell or otherwise transfer the Product.

How to obtain warranty service?

If you purchased the Product at a retail store location, take your original receipt and the Product to the store you purchased it from. Make sure that you place the Product in its original packaging or packaging that provides the same amount of protection as the original packaging. If you purchased the Product from an online web site, mail your original receipt and the Product to the address listed on the web site. Make sure that you put the Product in its original packaging or packaging that provides the same amount of protection as the original packaging.

Where is the warranty valid?

This warranty is valid only to the original purchaser of the product in the United States and Canada.

What does the warranty not cover?

This warranty does not cover:

- Customer instruction
- Installation
- Set up adjustments
- Cosmetic damage
- Damage due to acts of God, such as lightning strikes
- Accident
- Misuse
- Abuse
- Negligence
- Commercial use

- Modification of any part of the Product, including the antenna
- This warranty also does not cover:
- Damage due to incorrect operation or maintenance
 - Connection to an incorrect voltage supply
 - Attempted repair by anyone other than a facility authorized by Insignia to service the Product
 - Products sold as is or with all faults
 - Consumables, such as fuses or batteries
 - Products where the factory applied serial number has been altered or removed

REPAIR REPLACEMENT AS PROVIDED UNDER THIS WARRANTY IS YOUR EXCLUSIVE REMEDY. INSIGNIA SHALL NOT BE LIABLE FOR ANY INCIDENTAL OR CONSEQUENTIAL DAMAGES FOR THE BREACH OF ANY EXPRESS OR IMPLIED WARRANTY ON THIS PRODUCT, INCLUDING, BUT NOT LIMITED TO, LOST DATA, LOSS OF USE OF YOUR PRODUCT, LOST BUSINESS OR LOST PROFITS. INSIGNIA PRODUCTS MAKES NO OTHER EXPRESS WARRANTIES WITH RESPECT TO THE PRODUCT, ALL EXPRESS AND IMPLIED WARRANTIES FOR THE PRODUCT, INCLUDING, BUT NOT LIMITED TO, ANY IMPLIED WARRANTIES OF AND CONDITIONS OF MERCHANTABILITY AND FITNESS FOR A PARTICULAR PURPOSE, ARE LIMITED IN DURATION TO THE WARRANTY PERIOD SET FORTH ABOVE AND NO WARRANTIES, WHETHER EXPRESS OR IMPLIED, WILL APPLY AFTER THE WARRANTY PERIOD. SOME STATES, PROVINCES AND JURISDICTIONS DO NOT ALLOW LIMITATIONS ON HOW LONG AN IMPLIED WARRANTY LASTS, SO THE ABOVE LIMITATION MAY NOT APPLY TO YOU. THIS WARRANTY GIVES YOU SPECIFIC LEGAL RIGHTS, AND YOU MAY ALSO HAVE OTHER RIGHTS, WHICH VARY FROM STATE TO STATE OR PROVINCE TO PROVINCE.

Insignia NS-A2110

Lecteur de CD de salon haut de gamme

Table des matières

Bienvenue	17
Informations sur la sécurité	17
Importantes mesures de sécurité	18
Fonctionnalités	21
Installation du lecteur de CD de salon	22
Utilisation du lecteur de CD de salon	23
Problèmes et solutions	27
Problèmes et solutions	27
Avis juridiques	29
Garantie	31

Bienvenue

Félicitations d'avoir acheté ce produit Insignia de haute qualité. Le modèle NS-A2110 représente la dernière avancée technologique dans la conception de lecteurs de CD de salon haut de gamme et a été conçu pour des performances et une fiabilité exceptionnelles.

Informations sur la sécurité

Afin de réduire les risques d'incendie et de choc électrique, ne pas utiliser cette prise avec une rallonge ou autres prises d'alimentation, sauf si les plots peuvent s'y enfoncer entièrement sans être exposés. Afin de réduire les risques d'incendie et de choc électrique, ne pas exposer cet appareil à la pluie ou l'humidité.





L'éclair fléché au centre d'un triangle équilatéral prévient l'utilisateur de la présence de tensions élevées non isolées dans l'appareil, pouvant constituer un risque de choc électrique pour les personnes.

Le point d'exclamation au centre d'un triangle équilatéral prévient l'utilisateur de la présence d'instructions importantes dans le manuel de l'utilisateur livré avec l'appareil concernant son utilisation et son entretien.

Avertissement

Cet appareil est équipé d'un système au laser. Observer toutes les instructions d'utilisation dans ce guide et le conserver pour toute référence ultérieure. Si l'appareil a besoin d'être réparé, contacter le vendeur ou le centre de réparation agréé.

Pour éviter toute exposition à des radiations lasers, ne pas ouvrir le boîtier. Un rayonnement laser invisible est émis quand le boîtier est ouvert ou que le dispositif de verrouillage est défectueux. Ne pas regarder directement le faisceau laser.

L'utilisation de commandes, de réglages ou l'exécution de procédures autres que celles indiquées ici peuvent aboutir à une irradiation dangereuse.

Précautions

Tout changement ou modification de l'appareil non expressément approuvé par le fabricant ou ses représentants autorisés pourrait annuler l'autorisation pour l'utilisateur de faire fonctionner cet appareil.

Attention:

Cet appareil ne doit pas être exposé à des éclaboussures ou à des gouttes d'eau et aucun objet rempli de liquide, tel qu'un vase, ne doit être posé sur l'appareil.

Importantes mesures de sécurité

- **Lire les instructions** — Lire toutes les instructions de sécurité et de fonctionnement avant d'utiliser cet appareil.
- **Conserver les instructions** — Conserver les instructions de sécurité et de fonctionnement pour toute référence ultérieure.
- **Respecter les avertissements** — Observer tous les avertissements figurant sur cet appareil ainsi que dans les instructions d'utilisation.

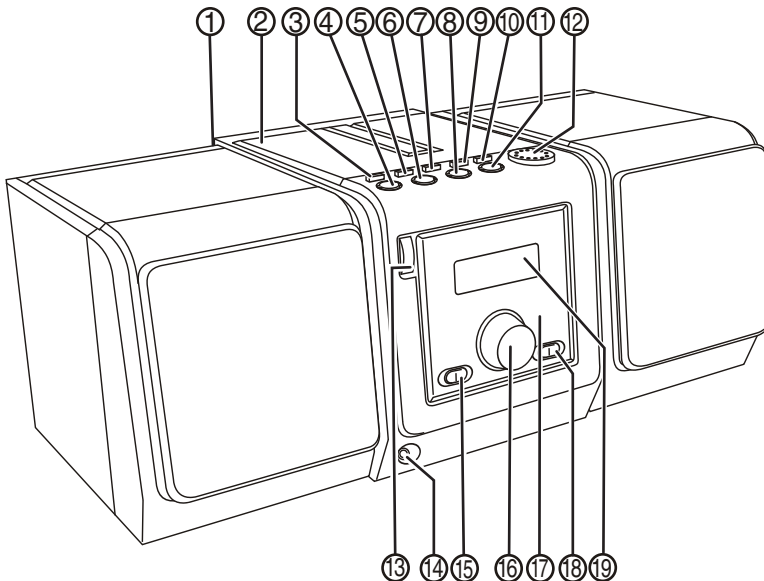
- **Suivre les instructions** — Toutes les instructions d'utilisation doivent être appliquées.
- **Nettoyage** — Débrancher l'appareil de la prise secteur avant tout nettoyage. Ne pas utiliser de nettoyants liquides ou en aérosol. Utiliser un chiffon humide pour le nettoyage.
- **Périphériques** — Ne pas utiliser de périphériques qui ne sont pas recommandés par Insignia, qui pourraient être source de dangers.
- **Eau et humidité** — Ne pas utiliser cet appareil à proximité de l'eau, par exemple, à côté d'une baignoire, d'un lavabo, d'un évier, d'un bac à laver, dans une cave humide ou à côté d'une piscine.
- **Ventilation** — Les fentes et ouvertures au dos et au bas du boîtier sont prévues pour la ventilation, afin d'assurer un fonctionnement fiable de l'appareil et de le protéger contre toute surchauffe. Ne pas obstruer les ouvertures. Ne pas placer l'appareil sur un lit, un sofa, une moquette ou toute autre surface semblable. L'appareil ne doit jamais être positionné à proximité ou sur un radiateur, ou une bouche de chauffage. Ne pas installer l'appareil dans un meuble encastré comme une bibliothèque ou sur une étagère, sauf si une ventilation adéquate a été prévue ou si les instructions du fabricant ont été respectées.
- **Sources d'alimentation** — Utiliser uniquement le type d'alimentation électrique indiqué sur la plaque signalétique. En cas d'incertitude sur la tension d'alimentation électrique de la maison, consulter le revendeur ou la compagnie d'électricité. Pour les appareils fonctionnant sur piles ou d'autres sources d'alimentation électrique, consulter les instructions d'utilisation.
- **Mise à la terre ou polarisation** — Cet appareil est équipé d'une prise de courant CA polarisée (à deux plots, un plus large que l'autre). Cette fiche ne s'insère dans une prise secteur que d'une seule façon. Il s'agit d'un dispositif de sécurité. S'il est impossible d'introduire à fond la fiche dans la prise secteur, essayer de retourner la prise. Si la fiche ne s'adapte toujours pas à la prise secteur, contacter un électricien afin qu'il remplace la prise inadéquate. Ne pas chercher à modifier le dispositif de sécurité de la prise polarisée.
- **Protection du cordon d'alimentation** — Acheminer le cordon d'alimentation de telle manière qu'on ne puisse marcher dessus ou qu'il ne soit pas pincé par des objets placés dessus ou tout contre ; prêter particulièrement attention au point de raccordement du cordon à la prise murale, à la plaque multiprises et au connecteur de l'appareil dans lequel il est branché.

- **Foudre** — Pour protéger l'appareil pendant un orage ou s'il se trouve inutilisé et sans surveillance pendant de longues périodes, le débrancher de la prise secteur et débrancher l'antenne ou la connexion au réseau câblé. Ceci évitera d'endommager l'appareil en cas de foudre et de variations de tension du secteur.
- **Surcharge** — Les prises murales et les rallonges ne doivent pas être surchargées, ce qui pourrait provoquer des risques d'incendie ou de choc électrique.
- **Pénétration de liquides et d'objets divers** — Ne jamais enfoncer un objet quelconque dans les ouvertures de l'appareil, car il pourrait entrer en contact avec des tensions dangereuses ou provoquer un court-circuit à l'origine d'un incendie ou d'un choc électrique. Ne jamais répandre un liquide sur l'appareil.
- **Réparation** — L'utilisateur ne doit pas essayer de réparer cet appareil lui-même; en effet son ouverture ou le démontage du boîtier peut l'exposer à des tensions dangereuses ou à d'autres dangers. Toutes les réparations doivent être réalisées par du personnel qualifié.
- **Dommages requérant des réparations** — Débrancher l'appareil de la prise secteur et utiliser les services d'un technicien qualifié dans les conditions suivantes:
 - Lorsque le cordon d'alimentation est effiloché ou la prise endommagée.
 - Si un liquide a été répandu ou des objets sont tombés dans l'appareil.
 - Si l'appareil a été exposé à la pluie ou à l'eau.
 - Si l'appareil fonctionne anormalement en appliquant les instructions d'utilisation. Ne régler que les commandes décrites dans les instructions d'utilisation; en effet, un réglage incorrect d'autres commandes pourrait provoquer des détériorations entraînant souvent d'importantes réparations par un technicien qualifié afin de rétablir un fonctionnement normal.
 - Si l'appareil est tombé ou s'il est endommagé de quelque façon que ce soit.
 - Détérioration marquée des performances de l'appareil.
- **Pièces de remplacement** — Si des pièces doivent être remplacées, vérifier que le technicien a utilisé des pièces spécifiées par le fabricant ayant les mêmes caractéristiques que celles d'origine. Toute substitution par des pièces non autorisées risque de provoquer un incendie, un choc électrique, des blessures ou d'autres dangers.
- **Contrôle de sécurité** — Les réparations ou la maintenance ayant été effectuées, demander au technicien de réaliser les contrôles de sécurité de routine afin de déterminer que l'appareil est en bon état de fonctionnement.

- **Chaleur** — Installer l'appareil à l'écart de sources de chaleur, telles que radiateurs, bouches de chaleur, fours ou autres appareils (y compris les amplificateurs) qui produisent de la chaleur.

Précautions

Pour éviter les chocs électriques, introduire la lame la plus large de la fiche dans la fente correspondante de la prise et pousser à fond.

Fonctionnalités

#	Description	Fonction
1	Antenne FM	Améliore la réception des signaux radios FM.
2	Compartiment du CD	Ouvrir pour insérer ou retirer un CD.
3	Touche RÉPÉTITION	Permet de répéter la lecture d'une piste ou d'un CD tout entier.
4	Touche LECTURE/PAUSE ▶	Permet la lecture ou l'arrêt momentané d'un CD.
5	Touche PROGRAMMATION	Permet de programmer la lecture d'un CD.
6	Touche ARRÊT ■	Permet d'arrêter la lecture d'un CD ou d'annuler un programme.

#	Description	Fonction
7	Touche de RÉGLAGE DE L'HEURE	Permet de régler l'heure.
8	Touche SAUT/ RECHERCHE DÉCROISSANTE	Permet de revenir à la piste précédente du CD ou de rechercher la piste souhaitée sur le CD.
9	Touche HEURE	Permet de régler les heures.
10	Touche MINUTE	Permet de régler les minutes.
11	Touche SAUT/ RECHERCHE CROISSANTE	Permet d'aller à la piste suivante du CD ou de rechercher la piste souhaitée sur le CD.
12	Commande du VOLUME	Permet d'augmenter ou de diminuer le volume.
13	Touche de MARCHE/ ARRÊT	Pour la mise sous ou hors tension du lecteur.
14	Prise de casque d'écoute stéréo	Brancher le casque d'écoute stéréo ici.
15	Sélecteur de FONCTION	Faire glisser pour sélectionner Radio ou CD.
16	Bouton SYNTONISATION	Permet de syntoniser la station radio souhaitée.
17	Témoin stéréo FM	Indique que la radio reçoit un signal stéréo FM.
18	Sélecteur de BANDE	Choisir parmi AM, FM ou FM ST.
19	Affichage	Affiche l'horloge ainsi que des informations relatives au CD ou à la radio.

Installation du lecteur de CD de salon

Connexion du cordon d'alimentation

Pour utiliser l'alimentation CA:

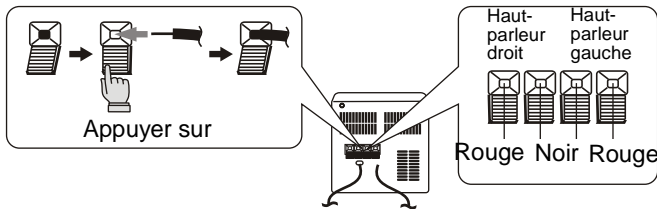
- 1 Vérifier que la source d'alimentation CA locale correspond à la tension indiquée sur la plaque signalétique à l'intérieur du compartiment de la pile. Si elle ne correspond pas, contacter le détaillant ou un centre de réparation.
- 2 Brancher le cordon d'alimentation au connecteur CA sur l'appareil, puis l'autre extrémité sur une prise secteur CA.
- 3 Pour éteindre l'appareil complètement, débrancher le cordon d'alimentation de la prise secteur CA.

Précautions

Afin de protéger l'appareil pendant les gros orages, débrancher le cordon d'alimentation de la prise secteur CA.

Connexion des haut-parleurs

Connecter les câbles des haut-parleurs à l'arrière de l'appareil tel qu'illustré sur le schéma suivant.



Réglage de l'heure

Pour régler l'heure:

- 1 Brancher l'appareil puis appuyer sur la touche **POWER** (Marche/Arrêt) pour le mettre sous tension.
- 2 Maintenir appuyée sur la touche **TIME SET** (Réglage de l'heure), puis sur **HOUR** (Heures) jusqu'à ce que l'heure souhaitée s'affiche à l'écran.
- 3 Appuyer sur **MINUTE** jusqu'à ce que la minute souhaitée s'affiche à l'écran.
- 4 Appuyer sur **POWER** (Marche/Arrêt) pour éteindre l'appareil.

Utilisation du lecteur de CD de salon

Fonctionnement de la radio

Pour utiliser la radio:

- 1 Appuyer sur **POWER** (Marche/Arrêt) pour mettre l'appareil sous tension.
- 2 Faire glisser le sélecteur de fonctions sur **RADIO**.
- 3 Faire glisser le sélecteur de bande sur **FM ST.** (stéréo), **AM** ou **FM**.
- 4 Tourner le bouton **TUNING** (Syntonisation) sur la station d'écoute souhaitée.
 - Pour l'écoute FM, régler l'antenne afin d'obtenir la meilleure réception sonore.

- Pour l'écoute AM, réorienter l'appareil pour obtenir la meilleure réception sonore (il est équipé d'une antenne intégrée).

Remarque

Si le sélecteur de BANDE est réglé sur **FM ST**, le témoin à DEL stéréo FM s'allume quand une station stéréo FM est syntonisée.

- 5 Régler le niveau sonore avec la commande du **VOLUME**.
- 6 Pour l'écoute individuelle, brancher le casque d'écoute stéréo sur la prise de l'appareil prévue à cet effet. Les haut-parleurs sont automatiquement mis en sourdine.

Avertissement

Pour éviter d'affecter l'ouïe, conserver le volume au niveau le plus bas avant de mettre le casque d'écoute, puis le régler ensuite à un niveau acceptable.

- 7 Appuyer sur **POWER** (Marche/Arrêt) pour éteindre la radio.

Utilisation du lecteur de CD

Ce lecteur de CD peut lire des disques audio tels que les CD-R et CD-RW. Il n'est pas compatible avec les CD-ROM, CDI, VCD, DVD ou CD d'ordinateurs.

Remarque

- Ce lecteur de CD ne peut pas lire les disques CD-R et CD-RW s'ils ne sont pas finalisés.

Pour utiliser le lecteur de CD:

- 1 Faire glisser le sélecteur de fonctions sur **CD**.
- 2 Ouvrir le couvercle du compartiment du CD en le soulevant par l'endroit identifié par **OPEN/CLOSE** (Ouvrir/Fermer).
- 3 Insérer un disque sur le plateau avec l'étiquette tournée vers le haut, puis refermer le couvercle.
- 4 Appuyer sur **PLAY/PAUSE ►||** (Lecture/Pause) pour commencer la lecture.
 - Pour arrêter momentanément la lecture, appuyer sur **PLAY/PAUSE ►||** (Lecture/Pause).
 - Pour reprendre la lecture normale, appuyer de nouveau sur **PLAY/PAUSE ►||** (Lecture/Pause).
- 5 Régler le niveau sonore avec la commande du **VOLUME**.

- 6 Pour l'écoute individuelle, brancher le casque d'écoute stéréo sur la prise de l'appareil prévue à cet effet. Les haut-parleurs sont automatiquement mis en sourdine.

Avertissement

Pour éviter d'affecter l'ouïe, conserver le volume au niveau le plus bas avant de mettre le casque d'écoute, puis le régler ensuite à un niveau acceptable.

- 7 Appuyer sur **STOP ■** (Arrêt) pour arrêter la lecture du CD.

Remarque

La lecture est aussi interrompue lorsque:

- Le compartiment du CD est ouvert
- La source audio RADIO est sélectionnée
- La lecture du CD est terminée

Sélection d'une piste particulière

Pour sélectionner une autre piste sur un CD:

- 1 Appuyer une fois sur **SKIP/SEARCH UP** (Saut/Recherche croissante) pour aller à la piste suivante, ou plusieurs fois jusqu'à ce que la piste souhaitée s'affiche à l'écran.
- 2 Appuyer une fois sur **SKIP/SEARCH DN** (Saut/Recherche décroissante) pour revenir au début de la piste en cours, ou plusieurs fois jusqu'à ce que la piste précédente souhaitée s'affiche à l'écran.
- 3 Si une piste est sélectionnée pendant l'arrêt complet ou momentané d'un CD, appuyer sur **PLAY/PAUSE ►||** (Lecture/Pause) pour commencer la lecture.

Localisation d'un point particulier

Pour localiser un point particulier sur une piste:

- 1 Maintenir appuyé **SKIP/SEARCH UP** (Saut/Recherche croissante) ou **SKIP/SEARCH DN** (Saut/Recherche décroissante).
- 2 Relâcher la touche lorsque le point voulu de la sélection est atteint. La lecture normale reprend.

Répétition des parties d'un CD

Pour utiliser le mode Repeat (Répétition):

- Appuyer une fois sur **REPEAT** (Répétition) [**REPEAT** s'affiche à l'écran] pour répéter la piste en cours.
- Appuyer de nouveau sur **REPEAT** (**ALL REPEAT** [Répéter tout] s'affiche à l'écran) pour répéter tout le CD.

- Appuyer de nouveau sur **REPEAT** pour annuler le mode Répétition et retourner à la lecture normale.

Programmation de la lecture

Il est possible de programmer la lecture de 20 pistes au maximum dans l'ordre souhaité et de répéter une piste plus d'une fois. Un programme existant peut être modifié de la même façon.

Pour programmer la lecture:

- 1 En mode Arrêt, appuyer sur **PROG** (Programme). *PROGRAM* (Programme) s'affiche à l'écran.
- 2 Appuyer sur **SKIP/SEARCH UP** (Saut/Recherche croissante) ou sur **SKIP/SEARCH DN** (Saut/Recherche décroissante) pour sélectionner la piste souhaitée.
- 3 Quand la piste souhaitée s'affiche à l'écran, appuyer sur **PROGRAM** (Programme) pour enregistrer la piste en mémoire.
- 4 Répéter les étapes 2 à 3 pour sélectionner des pistes supplémentaires.
- 5 Appuyer sur **PLAY/PAUSE** ►|| (Lecture/Pause) pour commencer la lecture du programme.

Pour annuler un programme:

- Ouvrir le compartiment du CD.
- Ou -
- Choisir la source **RADIO** avec le sélecteur de fonctions

Pour répéter la lecture d'une seule piste du programme:

- 1 Appuyer sur **REPEAT** (Répétition) pendant la lecture de cette piste.
- 2 Pour annuler la répétition, appuyer deux fois sur **REPEAT**.

Pour répéter le programme en entier:

- 1 Appuyer deux fois sur **REPEAT** (Répétition) pendant la lecture du programme.
- 2 Pour annuler la répétition, appuyer de nouveau sur **REPEAT**.

Problèmes et solutions

Précautions

L'utilisateur ne doit pas essayer de réparer cet appareil lui-même. Cela annulerait la garantie.

Problème	Cause éventuelle	Solution
Absence de son ou d'alimentation	Le volume est trop bas.	Augmenter le volume.
	Le cordon d'alimentation CA n'est pas fermement connecté.	Connecter le cordon d'alimentation CA.
Le CD n'est pas lu	Le CD n'a pas été inséré correctement.	Réinsérer le CD, étiquette tournée vers le haut.
	Le CD est défectueux.	Essayer un autre CD.
	Le couvercle du compartiment du CD n'est pas fermé.	Fermer le couvercle du compartiment du CD.
	De la condensation s'est formée dans le compartiment du CD.	Enlever le CD et laisser le couvercle ouvert dans un endroit sec pendant une heure environ.
Le disque ne s'affiche pas à l'écran	Aucun disque n'a été inséré.	Insérer un disque CD, CD-R ou CD-RW.
	Le disque est sale ou rayé.	Si le disque est sale, le nettoyer. Si le disque est défectueux, le remplacer.
	De la condensation s'est formée dans le compartiment du CD.	Enlever le CD et laisser le couvercle ouvert dans un endroit sec pendant une heure environ.
	Le disque CD-R ou CD-RW utilisé est vierge ou n'a pas été finalisé.	Utiliser un disque CD-R ou CD-RW finalisé.
Pas de son dans le casque d'écoute.	La fiche du casque d'écoute n'est pas branchée correctement.	Rebrancher la fiche du casque d'écoute dans la prise.
	La commande du volume est au minimum.	Augmenter le volume.
	Le CD est défectueux.	Essayer un autre CD.
Des sautes de CD se produisent en cours de lecture.	Le CD ou la lentille optique est sale.	Nettoyer ou remplacer le CD ou nettoyer la lentille de lecture.
	Fortes secousses ou vibrations	Placer le lecteur de CD sur une surface plane et stable sans vibration.
	Le lecteur de CD est programmé pour sauter d'une piste à l'autre.	Quitter le mode de programmation.

Problème	Cause éventuelle	Solution
Pas de son ou son médiocre sur la radio.	La station n'est pas syntonisée correctement.	Syntoniser de nouveau la station.
	FM — L'antenne n'est pas réglée correctement.	Réorienter l'antenne FM pour obtenir une meilleure réception.
	AM — L'appareil est mal positionné pour obtenir une bonne réception.	Réorienter l'appareil pour obtenir une meilleure réception.

Entretien du lecteur de CD de salon

Remarque

La partie mécanique de cet appareil contient des roulements autolubrifiants et ne doit pas être huilée ou lubrifiée.

Nettoyage du boîtier

Essuyer avec un chiffon propre. Si le boîtier est très sale, humidifier le chiffon avec une solution diluée de détergent non caustique et d'eau.

Nettoyage de la lentille optique

Une lentille optique sale provoque des sautes de son et même l'arrêt du lecteur de CD.

Pour nettoyer la lentille de particules sèches et de poussières éventuelles:

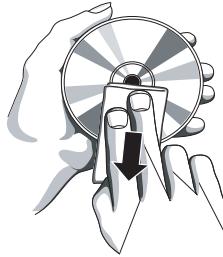
- 1 Ouvrir le couvercle du CD.
- 2 En utilisant une brosse pneumatique pour lentille de camera, souffler plusieurs fois sur la lentille, puis essuyer délicatement avec la brosse pour enlever la poussière.
- 3 Souffler de nouveau pour éliminer les particules en suspension.

Pour nettoyer la lentille optique d'empreintes digitales:

- Si la lentille n'est toujours pas propre après le traitement à la brosse pneumatique, l'essuyer avec un chiffon propre et doux.

Nettoyage d'un CD

Essuyer le CD, du centre vers la périphérie à l'aide d'un chiffon propre et doux.



Précautions

Ne pas utiliser des solvants comme le benzène, les diluants, les liquides de nettoyage commerciaux ou les vaporisateurs antistatiques conçus pour les disques en vinyle.

Avis juridiques

© 2007 Insignia. Insignia et le logo Insignia sont des marques de commerce de Best Buy Enterprise Services, Inc. Les autres noms de marques et de produits mentionnés sont des marques de commerce ou des marques déposées de leurs propriétaires respectifs. Les spécifications et caractéristiques sont susceptibles d'être modifiées sans préavis.

Pour toute réparation ou assistance technique, appeler le (877) 467-4289.

Garantie

Garantie limitée de 90 jours

Insignia Products ("Insignia") garantit au premier acheteur de ce NS-A2110 neuf ("Produit"), qu'il est exempt de vices de fabrication et de main-d'œuvre à l'origine, pour une période de 90 jours à partir de la date d'achat du Produit ("Période de garantie"). Ce Produit doit avoir été acheté chez un revendeur agréé des produits de la marque Insignia et emballé avec cette déclaration de garantie. Cette garantie ne couvre pas les Produits remis à neuf. Les conditions de la présente garantie s'appliquent à tout Produit pour lequel Insignia est notifié, pendant la Période de garantie, d'un vice couvert par cette garantie qui nécessite une réparation.

Quelle est la durée de la couverture ?

La Période de garantie dure 90 jours à compter de la date d'achat de ce Produit. La date d'achat est imprimée sur le reçu fourni avec le Produit.

Que couvre cette garantie ?

Pendant la Période de garantie, si un vice de matériau ou de main-d'œuvre d'origine est détecté sur le Produit par un service de réparation agréé par Insignia ou le personnel du magasin, Insignia (à sa seule discrétion): (1) réparera le Produit en utilisant des pièces détachées neuves ou remises à neuf; ou (2) remplacera le Produit par un produit ou des pièces neuves ou remises à neuf de qualité comparable. Les produits et pièces remplacés au titre de cette garantie deviennent la propriété d'Insignia et ne sont pas retournés à l'acheteur. Si les Produits ou pièces nécessitent une réparation après l'expiration de la Période de garantie, l'acheteur devra payer tous les frais de main d'œuvre et les pièces. Cette garantie reste en vigueur tant que l'acheteur reste propriétaire du Produit Insignia pendant la Période de garantie. La garantie prend fin si le Produit est revendu ou transféré d'une quelconque façon que ce soit à tout autre propriétaire.

Comment obtenir une réparation sous garantie ?

Si le Produit a été acheté chez un détaillant, le rapporter accompagné du reçu original chez ce détaillant. S'assurer de remettre le Produit dans son emballage d'origine ou dans un emballage qui procure la même qualité de protection que celui d'origine. Si le Produit a été acheté en ligne, l'expédier accompagné du reçu original à l'adresse indiquée sur le site Web. S'assurer de remettre le Produit dans son emballage d'origine ou dans un emballage qui procure la même qualité de protection que celui d'origine.

Où cette garantie s'applique-t-elle ?

Cette garantie ne s'applique qu'à l'acheteur original du Produit aux États-Unis et au Canada.

Ce qui n'est pas couvert par cette garantie limitée

La présente garantie ne couvre pas:

- la formation du client;
- l'installation;
- les réglages de configuration;
- les dommages esthétiques;
- les dommages résultants de catastrophes naturelles telles que la foudre;
- les accidents;
- une utilisation inadaptée;
- une manipulation abusive;

- la négligence;
- une utilisation commerciale;
- la modification de tout ou partie du Produit, y compris l'antenne.

La présente garantie ne couvre pas non plus:

- les dommages ayant pour origine une utilisation ou une maintenance défectueuse ;
- la connexion à une source électrique dont la tension est inadéquate;
- Toute réparation effectuée par quiconque autre qu'un service de réparation agréé par Insignia pour la réparation du Produit
- les Produits vendus en l'état ou hors service;
- les consommables tels que les fusibles ou les piles;
- les produits dont le numéro de série usine a été altéré ou enlevé du Produit.

LA RÉPARATION OU LE REMPLACEMENT, TELS QU'OFFERTS PAR LA PRÉSENTE GARANTIE, CONSTITUENT LE SEUL RECOURS DE L'ACHETEUR. INSIGNIA NE SAURAIT ÊTRE TENU POUR RESPONSABLE DE DOMMAGES ACCESSOIRES OU CONSÉCUTIFS, RÉSULTANT DE L'INEXÉCUTION D'UNE GARANTIE EXPRESSE OU IMPLICITE SUR CE PRODUIT, Y COMPRIS, SANS S'Y LIMITER, LA PERTE DE DONNÉES, L'IMPOSSIBILITÉ D'UTILISER LE PRODUIT, L'INTERRUPTION D'ACTIVITÉ OU LA PERTE DE PROFITS. INSIGNIA PRODUCTS N'OCTROIE AUCUNE AUTRE GARANTIE EXPRESSE RELATIVE À CE PRODUIT; TOUTES LES GARANTIES EXPRESSES OU IMPLICITES POUR CE PRODUIT, Y COMPRIS MAIS SANS LIMITATION, TOUTE GARANTIE DE QUALITÉ MARCHANDE, D'ADÉQUATION À UN BUT PARTICULIER, SONT LIMITÉES À LA PÉRIODE DE GARANTIE APPLICABLE TELLE QUE DÉCRITE CI-DESSUS ET AUCUNE GARANTIE EXPRESSE OU IMPLICITE, NE S'APPLIQUERA APRÈS LA PÉRIODE DE GARANTIE. CERTAINS ÉTATS ET PROVINCES NE RECONNAISSENT PAS LES LIMITATIONS DE LA DURÉE DE VALIDITÉ DES GARANTIES IMPLICITES. PAR CONSÉQUENT, LES LIMITATIONS SUSMENTIONNÉES PEUVENT NE PAS S'APPLIQUER À L'ACHETEUR ORIGINAL. LA PRÉSENTE GARANTIE DONNE À L'ACHETEUR DES GARANTIES JURIDIQUES SPÉCIFIQUES; IL PEUT AUSSI BÉNÉFICIER D'AUTRES GARANTIES QUI VARIENT D'UN ÉTAT OU D'UNE PROVINCE À L'AUTRE.

Insignia NS-A2110

Sistema de audio tipo ejecutivo

Contenido

Bienvenido	33
Información de seguridad	33
Medidas de seguridad importantes	34
Características	37
Configuración de su sistema de audio	38
Uso de su sistema de audio	39
Localización y corrección de fallas	43
Mantenimiento de su sistema de audio	44
Avisos legales	45
Garantía	47

Bienvenido

Felicitaciones por su compra de un producto de alta calidad de Insignia. Su NS-A2110 representa el más moderno diseño de sistemas de audio tipo ejecutivo y está concebido para brindar un rendimiento confiable y sin problemas.

Información de seguridad

Para evitar el peligro de incendio o choque eléctrico, no conecte este cable de alimentación en un cable de extensión, receptáculo, ni con otro tipo de tomacorriente, ya que las clavijas deben quedar completamente insertadas para evitar su exposición. Para reducir el riesgo de incendio o choque eléctrico, no exponga este aparato a la lluvia o la humedad.

	<p>CAUTION</p> <p>RISK OF ELECTRIC SHOCK DO NOT OPEN</p>	
<p>CUIDADO: Para evitar el riesgo de choque eléctrico, no retire la cubierta (o parte posterior). En su interior hay piezas que no debe manipular el usuario. Para realizar reparaciones, acuda al personal de servicio calificado.</p>		



La figura de relámpago que termina en punta de flecha dentro de un triángulo tiene por finalidad alertarle de la presencia de voltaje peligroso sin aislamiento en el interior de su sistema de audio que podría tener potencia suficiente para constituir riesgo de choque eléctrico para las personas.



El signo de admiración dentro de un triángulo tiene por finalidad alertarle de la presencia de instrucciones importantes de operación y mantenimiento (servicio) en la literatura que se incluye con su sistema de audio.

Advertencia

Su sistema de audio utiliza un sistema láser. Siga todas las instrucciones de operación contenidas en esta guía y guarde la guía para su consulta posterior. Si su sistema de audio requiere reparación, contacte al vendedor o a nuestro centro de servicio.

Para prevenir la exposición directa a la radiación láser, no abra la caja. Existe radiación de láser invisible cuando la caja está abierta o los seguros estén desactivados. No mire directamente a los rayos láser.

El uso de cualquier otro control, ajuste o procedimiento que no sea especificado en este manual puede resultar en una exposición peligrosa a la radiación.

Precaución

Cualquier cambio o modificación a su sistema de audio, que no este aprobado expresamente por el fabricante o sus centros autorizados, pueden cancelar su autoridad para operar su sistema de audio.

Precaución:

Su sistema de audio no debe de ser expuesto al agua (goteo o salpicaduras), y ningún objeto lleno de líquido, como por ejemplo vasijas, deberá ser colocado sobre la unidad.

Medidas de seguridad importantes

- **Lea las instrucciones** — Lea todas las instrucciones de seguridad y operación antes de usar su sistema de audio.
- **Guarde las instrucciones** — Guarde las instrucciones de seguridad y operación para referencia futura.
- **Siga las advertencias** — Preste atención a todas las advertencias sobre su sistema de audio y en las instrucciones de operación.

- **Siga las instrucciones** — Siga todas las instrucciones de operación y uso.
- **Limpieza** — Desconecte su sistema de audio del tomacorriente antes de limpiarlo. No use productos de limpieza líquidos o en aerosol. Use un paño húmedo para limpiarla.
- **Aditamentos** — No use accesorios que no hayan sido recomendados por Insignia ya que podrían causar problemas peligrosos.
- **Agua y humedad** — No use su sistema de audio cerca del agua; por ejemplo, cerca de una bañera, en un sótano mojado o cerca de una piscina.
- **Ventilación** — Para asegurar la operación confiable de su sistema de audio y para protegerlo contra el sobrecalentamiento, se proveen ranuras y aberturas en la parte posterior o inferior del gabinete ventilación. No bloquee estas aberturas. No coloque su sistema de audio sobre una cama, un sofá, una alfombra u otra superficie similar. Su sistema de audio nunca se debe colocar cerca o sobre un radiador o calefactor. No coloque su sistema de audio en una instalación empotrada, tal como un librero o estantería a menos que se proporcione la correcta ventilación o se hayan seguido las instrucciones del fabricante.
- **Fuentes de alimentación** — Use sólo el tipo de alimentación eléctrica indicado en la etiqueta de marca. Si no está seguro del tipo de fuente de alimentación en su casa, consulte con el vendedor del sistema de audio o la compañía local de energía. Para sistemas de audio diseñados para funcionar con baterías, u otras fuentes, refiérase a las instrucciones de operación respectivas.
- **Conexión a tierra o polarización** — Su sistema de audio está equipado con un enchufe polarizado de corriente alterna (un enchufe que tiene una espiga más ancha que la otra). Este enchufe se conecta en el tomacorriente de una sola forma. Ésta es una característica de seguridad. Si no puede insertar completamente el enchufe en el tomacorriente, intente voltearlo. Si el enchufe todavía no entra, contacte a su electricista para que reemplace el tomacorriente obsoleto. No anule el propósito de seguridad del enchufe polarizado.
- **Protección del cable de alimentación** — Coloque los cables de alimentación eléctrica de tal forma que no se pisen o queden aplastados por objetos colocados contra ellos; preste atención especial a los cables conectados a tomacorrientes y al lugar de donde salen de su sistema de audio.

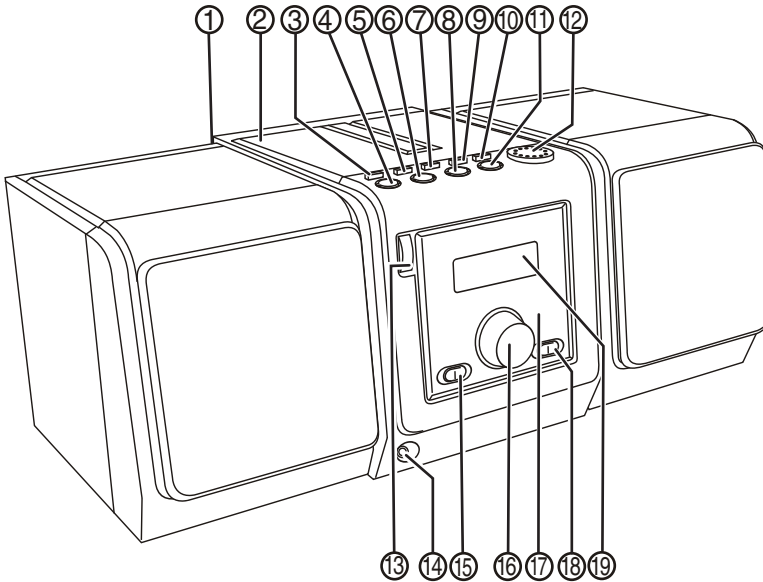
- **Relámpagos** — Para protección adicional de su sistema de audio durante una tormenta de rayos, o cuando se deje sin usar por un periodo de tiempo extensivo, desconéctelo del tomacorriente y desconecte la antena o el sistema de cable. Esto evitará daños a su sistema de audio debido a relámpagos o sobretensión en la línea de energía.
- **Sobrecarga** — No sobrecargue los tomacorrientes ni los cables de extensión ya que esto podría resultar en riesgo de incendio o choque eléctrico.
- **Ingreso de objetos y líquidos** — Nunca inserte objetos de ningún tipo en su sistema de audio a través de las aberturas, ya que podrían tocar puntos de voltaje peligrosos o hacer corto circuito con otros componentes que podrían resultar en incendio o choque eléctrico. Nunca derrame líquidos de ninguna clase sobre su sistema de audio.
- **Reparación** — No trate de reparar su sistema de audio usted mismo, ya que abrir o quitar las cubiertas puede exponerlo a voltajes peligrosos u otros peligros. Encomiende todas las reparaciones al personal de servicio calificado.
- **Daños que requieren reparación** — Desconecte el sistema de audio del tomacorriente y refiera la reparación a personal calificado bajo las siguientes condiciones:
 - Cuando el cable de alimentación o el enchufe se dañe o se pele.
 - Si líquido ha sido derramado u objetos han caído dentro del sistema de audio.
 - Si el sistema de audio ha sido expuesto a la lluvia o al agua.
 - Si el sistema de audio no funciona normalmente aún siguiendo las instrucciones de operación siguientes. Ajuste únicamente los controles que están cubiertos en las instrucciones de operación, ya que el ajuste incorrecto de otros controles puede resultar en daño y frecuentemente requerirá trabajo intensivo de un técnico calificado para restaurar la operación normal de su sistema de audio.
 - Si su sistema de audio se ha caído o dañado de cualquier forma.
 - Si su sistema de audio exhibe un cambio marcado en el rendimiento.
- **Piezas de repuesto** — Cuando se necesiten repuestos, asegúrese de que el técnico de reparación use repuestos especificados por el fabricante o que tengan las mismas características que la parte original. Las substituciones no autorizadas pueden resultar en incendio, choque eléctrico, lesiones a personas u otros peligros.

- **Verificación de seguridad** — Después de completar la reparación de su sistema de audio, pídale al técnico de servicio que realice verificaciones de seguridad rutinarias para determinar que su sistema de audio se encuentra en buena condición de operación.
- **Calor** — No instale su sistema de audio cerca de fuentes de calor tales como radiadores, calefactores, estufas u otros productos (incluyendo amplificadores) que produzcan calor.

Precaución

Para evitar un choque eléctrico haga corresponder la clavija ancha del enchufe con la ranura ancha del tomacorriente e inserte el enchufe completamente.

Características



#	Descripción	Función
1	Antena de FM	Mejora la recepción de las señales de radio FM.
2	Puerta del CD	Abra para insertar o sacar un CD.
3	Botón REPETIR	Permite repetir una pista o todo el CD.
4	Botón REPRODUCIR/ PAUSAR ►	Permite reproducir o pausar el CD.

#	Descripción	Función
5	Botón PROGRAMAR	Permite programar la reproducción del CD.
6	Botón DETENER ■	Permite detener la reproducción del CD o eliminar un programa.
7	Botón AJUSTE DE HORA	Permite ajustar la hora del día.
8	Botón SALTAR/BUSCAR HACIA ABAJO	Permite saltar a la pista anterior del CD o para buscar la pista que desea en el CD.
9	Botón HORA	Permite ajustar las horas.
10	Botón MINUTOS	Permite ajustar los minutos.
11	Botón SALTAR/BUSCAR HACIA ADELANTE	Permite saltar a la siguiente pista del CD o para buscar la pista que desea en el CD.
12	Control VOLUMEN	Permite subir y bajar el volumen.
13	Botón ENCENDIDO	Permite encender o apagar el reproductor.
14	Conector de auriculares estéreo	Conecte de auriculares estéreo aquí.
15	Selector de FUNCIÓN	Permite seleccionar entre Radio o CD.
16	Perilla de SINTONIZACIÓN	Permite sintonizar la estación de radio deseada.
17	Indicador de FM estéreo	Indica si el radio está recibiendo una señal FM estéreo.
18	Selector de BANDA	Elija entre AM, FM, o FM ST (Estéreo).
19	Pantalla	Muestra el reloj además de información sobre el CD o radio.

Configuración de su sistema de audio

Conexión del cable de alimentación

Para usar la alimentación de CA:

- 1 Asegúrese de que el voltaje de su fuente de alimentación de CA local sea el mismo que el indicado en la placa situada en el interior del compartimiento de las pilas. Si no lo es, consulte con su vendedor o centro de servicio.
- 2 Conecte el cable de alimentación al conector de CA en el sistema de audio y luego enchúfelo en el tomacorriente de CA.

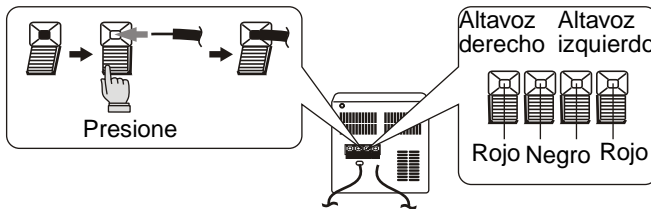
- 3 Para apagar completamente el sistema de audio, desenchufe el cable de alimentación del tomacorriente de CA.

Cuidado

Para proteger su sistema de audio durante las tormentas eléctricas fuertes, desenchufe el cable de alimentación del tomacorriente de CA.

Conexión de los altavoces

Conecte los cables de los altavoces en la parte posterior del sistema de audio según se muestra en la siguiente figura.



Ajuste de la hora

Para ajustar la hora:

- 1 Conecte su sistema de audio y enciéndalo presionando **POWER** (Encendido).
- 2 Mantenga sostenido **TIME SET** (Ajustar la hora), y presione **HOUR** (Horas) hasta que la hora correcta se muestre en la pantalla.
- 3 Presione **MINUTE** (Minutos) hasta que los minutos correctos se muestren en la pantalla.
- 4 Apague el sistema de audio presionando **POWER** (Encendido).

Uso de su sistema de audio

Uso de la radio

Para usar la radio:

- 1 Presione **POWER** (Encendido) para encender el sistema de audio.
- 2 Deslice el interruptor de función a la posición **RADIO**.

- 3 Deslice el selector de banda a la posición **FM ST.** (FM Estéreo), **AM**, o **FM**.
- 4 Gire la perilla **TUNING** (Sintonización) a la estación deseada.
 - Para escuchar FM, ajuste la antena hasta obtener la mejor señal.
 - Para escuchar AM, gire el sistema de audio hasta encontrar la mejor señal (tiene una antena integrada).

Nota

El indicador LED de FM Estéreo se ilumina cuando se sintoniza una emisora FM estéreo, si el selector de banda se encuentra la posición **FM ST.**

- 5 Ajuste el nivel de sonido con el control **VOLUME** (Volumen)
- 6 Para escuchar de forma privada, conecte sus auriculares estéreo en el toma en la parte superior del sistema de audio. Los altavoces se silenciarán automáticamente.

Advertencia

Para evitar dañar su oído, ajuste del volumen a un nivel bajo antes de colocarse los auriculares, luego ajuste del volumen a un nivel cómodo.

- 7 Para pagar el sistema de audio, presione **POWER** (Encendido).

Uso del reproductor de CD

El reproductor de CD puede reproducir discos de audio, tal cómo discos CD-R y CD-RW. El reproductor de CD no es compatible con CD-ROM, CDI, VCD, DVD o discos para computadora.

Nota

- Los discos CD-R y CD-RW se tienen que finalizar para poder ser reproducidos en este reproductor de CD.

Para usar el reproductor de CD:

- 1 Deslice el interruptor de función a la posición **CD**.
- 2 Abra la puerta del CD levantándola por el punto marcado **OPEN/CLOSE** (Abrir/Cerrar).
- 3 Inserte un disco con el lado impreso hacia arriba, y cierre la puerta del CD.
- 4 Presione **PLAY/PAUSE ►II** (Reproducir/Pausar) para comenzar a reproducir.
 - Para pausar la reproducción, presione **PLAY/PAUSE ►II**.
 - Para reanudar la reproducción, presione **PLAY/PAUSE ►II** (Reproducir/Pausar) otra vez.

- 5 Ajuste el nivel de sonido con el control **VOLUME** (Volumen).
- 6 Para escuchar de forma privada, conecte sus auriculares en el toma en la parte superior del sistema de audio. Los altavoces se silenciarán automáticamente.

Advertencia

Para evitar dañar su oído, ajuste del volumen a un nivel bajo antes de colocarse los auriculares, luego ajuste del volumen a un nivel cómodo.

- 7 Presione **STOP ■** (Detener) para detener la reproducción del CD.

Nota

La reproducción se detiene cuando:

- Se abre la puerta del CD.
- Se selecciona la fuente de sonido de la RADIO
- Se llega al final del CD.

Selección de una pista diferente

Para seleccionar una pista diferente en un CD:

- 1 Presione una vez **SKIP/SEARCH UP** (Saltar/Buscar hacia arriba) para saltar a la pista siguiente o presione repetidamente hasta que la pista deseada aparezca en la pantalla.
- 2 Presione una vez **SKIP/SEARCH DN** (Saltar/Buscar hacia abajo) para regresar al principio de la pista actual o presione repetidamente para ir a una pista anterior hasta que la pista deseada aparezca en la pantalla.
- 3 Si seleccionó una pista mientras el CD se encuentra detenido o pausado, presione **PLAY/PAUSE ►||** (Reproducir/Pausar) para empezar la reproducción.

Localización de un pasaje específico

Para localizar un pasaje específico en una pista:

- 1 Mantenga presionado **SKIP/SEARCH UP** (Saltar/Buscar hacia arriba) **SKIP/SEARCH DN** (Saltar/Buscar hacia abajo).
- 2 Cuando alcance la parte que desea, suelte el botón. La reproducción normal se reanuda.

Repetición de partes de un CD

Para usar el modo de repetición:

- Presione **REPEAT** (Repetir) una vez (el indicador **REPEAT** [Repetir] aparece en la pantalla) para repetir la pista actual.

- Presione **REPEAT** (Repetir) de nuevo (el indicador *ALL REPEAT* [Repetir Todo] aparece en la pantalla) para repetir todo del CD.
- Presione **REPEAT** (Repetir) de nuevo para cancelar el modo de repetición y regresar al modo de reproducción normal.

Programación de la reproducción

Puede programar hasta 20 pistas para reproducirlas en el orden especificado, y repetir cualquier pista más de una vez. Un programa existente puede ser editado de la misma forma.

Para programar la reproducción:

- 1 En el modo detenido, presione **PROG**. El indicador *PROGRAM* (Programar) aparecerá en la pantalla.
- 2 Presione **SKIP/SEARCH UP** (Saltar/Buscar hacia arriba) o **SKIP/SEARCH DN** (Saltar/Buscar hacia abajo) para seleccionar la pista deseada.
- 3 Cuando la pista deseada aparece en la pantalla, presione **PROGRAM** (Programa) para almacenar la pista en la memoria.
- 4 Repita los pasos 2 y 3 para editar pistas adicionales.
- 5 Presione **PLAY/PAUSE** **▶||** (Reproducir/Pausar) para reproducir su programa.

Para eliminar un programa:

- Abra la puerta del CD
- O -
- Seleccione la fuente **RADIO** con el selector de función

Para repetir sólo una pista del programa:

- 1 Presione **REPEAT** (Repetir) mientras se reproduce la pista.
- 2 Para cancelar la repetición, presione **REPEAT** (Repetir) dos veces.

Para repetir todo el programa:

- 1 Presione **REPEAT** (Repetir) dos veces mientras el programa se reproduce.
- 2 Para cancelar la repetición, presione **REPEAT** (Repetir) de nuevo.

Localización y corrección de fallas

Cuidado

No intente reparar el sistema de audio usted mismo.
Hacerlo anulará su garantía.

Problema	Causa probable	Solución
No hay sonido o alimentación	El volumen está demasiado bajo.	Suba el volumen.
	El cable de alimentación de CA no está bien conectado.	Conecte el cable de alimentación de CA.
No se puede reproducir el CD.	El CD se ha insertado incorrectamente.	Vuelva a insertar el CD con la etiqueta hacia arriba.
	El CD está defectuoso.	Pruebe con otro CD.
	No está cerrado el compartimiento del CD.	Cierre la puerta del CD.
	Hay condensación en el compartimiento del CD.	Saque el CD y deje la tapa abierta durante una hora en un ambiente seco.
El indicador "No disc" (No hay disco) se muestra en la pantalla	No se ha insertado un CD.	Inserte un disco CD, CD-R o CD-RW.
	El CD se encuentra muy rayado o sucio.	Limpe el CD si está sucio. Reemplace el CD si está defectuoso.
	Hay condensación en el compartimiento del CD.	Saque el CD y deje la cubierta abierta por cerca de una hora en un ambiente seco.
	Está usando un disco CD-R o CD-RW que no se ha grabado o el disco no ha sido finalizado.	Use un disco CD-R o CD-RW finalizado.
No se escucha sonido por los auriculares.	Los auriculares no están insertados correctamente en el toma de los auriculares.	Reinserte el enchufe de los auriculares en el toma.
	El control de volumen está bajo.	Suba el volumen.
	El CD está defectuoso.	Pruebe con otro CD.

Problema	Causa probable	Solución
El sonido del CD se salta segmentos durante la reproducción.	El CD o el lente están sucios.	Limpie o reemplace el CD o limpie el lente.
	Vibraciones o sacudidas fuertes	Colocar el sistema de audio sobre una superficie plana, dura y estable.
	El reproductor de CD está programado para saltarse una pista.	Salga del modo de programación.
No hay sonido o el sonido es malo en la radio.	No se ha sintonizado la estación correctamente.	Vuelva a sintonizar la estación.
	FM — La antena no está ajustada correctamente.	Ajuste la antena de FM para mejorar la recepción.
	AM — El sistema de audio no está orientado de manera que se consiga una buena recepción.	Gire el reproductor para mejorar la recepción.

Mantenimiento de su sistema de audio

Nota

La sección mecánica de este sistema de audio contiene engranajes autolubrificantes y no se debe aceitar o lubricar.

Limpieza de la caja

Limpie la caja con un paño suave. Si está muy sucia, humedezca el paño con una solución muy diluida de detergente no cáustico y agua.

Limpieza del lente

Un lente sucio puede provocar saltos e incluso hacer que el reproductor de CD deje de funcionar.

Para limpiar las partículas secas y polvo del lente:

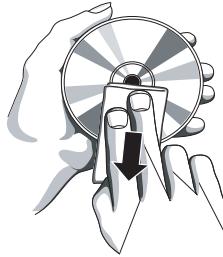
- 1 Abra la cubierta del CD.
- 2 Usando una brocha y sopladora para lentes de cámara, soplar sobre el lente varias veces y luego limpiarlo cuidadosamente con la brocha para remover el polvo.
- 3 Soplar de nuevo para remover partículas sueltas.

Para limpiar huellas digitales del lente:

- Sí el lente no se puede limpiar con la brocha y el soplador, límpielo con un paño suave de algodón.

Limpieza de los CDs

Usando un paño suave de limpieza, limpie el CD del centro hacia afuera.



Cuidado

No utilice solventes tal como benceno, diluyentes, limpiadores comerciales o aerosoles antiestáticos diseñados para discos de vinilo.

Avisos legales

© 2007 Insignia. Insignia y el logotipo de Insignia son marcas de comercio de Best Buy Enterprise Services, Inc. Otras marcas y nombres de productos son marcas comerciales o marcas registradas de sus dueños respectivos. Las especificaciones y características están sujetas a cambio sin aviso previo u obligación. Para reparación y soporte llamar al (877) 467-4289.

Garantía

Garantía limitada de 90 días

Insignia Products ("Insignia") le garantiza a usted, el comprador original de este nuevo NS-A2110 ("Producto"), que éste se encontrará libre de defectos de material o de mano de obra en su fabricación original por un período de 90 (noventa) días a partir de la fecha de compra del Producto ("Período de Garantía"). Este producto debe ser comprado en un distribuidor autorizado de productos de la marca Insignia y empaçado con esta declaración de garantía. Esta garantía no cubre Productos reacondicionados. Si notifica a Insignia durante el Período de Garantía sobre un defecto cubierto por esta garantía que requiere reparación, los términos de esta garantía se aplican.

¿Cuánto dura la garantía?

El Período de Garantía dura por 90 (noventa) días a partir de la fecha en que compró el Producto. La fecha de compra se encuentra impresa en el recibo que recibió con el Producto.

¿Qué es lo que cubre esta garantía?

Durante el Período de Garantía, si un centro de reparación autorizado de Insignia concluye que la fabricación original del material o la mano de obra del Producto se encuentran defectuosos, Insignia (cómo su opción exclusiva): (1) reparará el Producto con repuestos nuevos o reacondicionados; o (2) reemplazará el Producto sin cargo con uno nuevo o con uno reacondicionado con repuestos equivalentes. Los Productos y repuestos reemplazados bajo esta garantía se volverán propiedad de Insignia y no se le regresarán a usted. Si se requiere la reparación de Productos o partes después de que se vence el Período de Garantía, usted deberá pagar todos los costos de mano de obra y de repuestos. Esta garantía estará vigente con tal que usted sea el dueño de su Producto Insignia durante el periodo de garantía. El alcance de la garantía se termina si usted vende o transfiere el Producto.

¿Cómo se obtiene la reparación de garantía?

Si ha comprado el Producto en una tienda de ventas, lleve su recibo original y el Producto a la tienda en donde lo compró. Asegúrese de que vuelva a colocar el Producto en su empaque original o en un empaque que provea la misma protección que el original. Si compró el Producto en un sitio Web, envíe por correo su recibo original y el Producto a la dirección postal listada en el sitio Web. Asegúrese de colocar el Producto en su empaque original o en un empaque que provea la misma protección que el original.

¿En dónde es válida la garantía?

Esta garantía sólo es válida al comprador original del Producto en los Estados Unidos y en Canadá.

¿Qué es lo que no cubre la garantía?

Esta garantía no cubre:

- Formación del cliente
- Instalación
- Ajuste de configuración
- Daños cosméticos
- Daños debido a actos de la naturaleza, tal cómo rayos
- Accidentes
- Mal uso

- Abuso
- Negligencia
- Uso comercial
- Modificación de alguna parte del Producto, incluyendo la antena

Esta garantía tampoco cubre:

- Daño debido al uso o mantenimiento incorrecto
- La conexión a una fuente de voltaje incorrecta
- El intento de reparación por alguien que no sea una compañía autorizada por Insignia para reparar el Producto
- Productos vendidos tal cual (en el estado en que se encuentran) o con todas sus fallas
- Productos consumibles, tal cómo fusibles o baterías
- Productos en los cuales el número de serie asignado en la fábrica ha sido alterado o removido.

LA REPARACIÓN O REEMPLAZO SEGÚN LO PROVISTO BAJO ESTA GARANTÍA ES SU ÚNICO RECURSO. INSIGNIA NO SERÁ RESPONSABLE POR DAÑOS INCIDENTALES O CONSECUENTES DEBIDO AL INCUMPLIMIENTO DE CUALQUIER GARANTÍA EXPRESA O IMPLÍCITA RELACIONADA CON ESTE PRODUCTO, INCLUYENDO, PERO SIN LIMITARSE A ELLO, PÉRDIDA DE DATOS, IMPOSIBILIDAD DE USO DE SU PRODUCTO, PÉRDIDA DE NEGOCIO O LUCRO CESANTE. INSIGNIA NO CONCEDE NINGUNA OTRA GARANTÍA EXPRESA CON RESPECTO AL PRODUCTO; TODAS LAS GARANTÍAS EXPRESAS E IMPLÍCITAS DE ESTE PRODUCTO, INCLUYENDO PERO SIN LIMITARSE A, CUALQUIER GARANTÍA IMPLÍCITA DE O CONDICIONES DE COMERCIALIZACIÓN O IDONEIDAD PARA UN USO PARTICULAR, ESTÁN LIMITADAS EN DURACIÓN AL PERÍODO DE GARANTÍA DECLARADO ANTERIORMENTE Y NINGUNA GARANTÍA YA SEA EXPRESA O IMPLÍCITA SE APLICARÁ DESPUÉS DEL PERÍODO DE GARANTÍA. ALGUNOS ESTADOS, PROVINCIAS Y JURISDICCIONES NO PERMITEN RESTRICCIONES EN CUANTO A LA DURACIÓN DE UNA GARANTÍA IMPLÍCITA, ASÍ QUE LA RESTRICCIÓN ANTERIOR PUEDE NO APLICARSE EN SU CASO. ESTA GARANTÍA LE DA DERECHOS LEGALES ESPECÍFICOS, Y USTED PUEDE POSEER OTROS DERECHOS QUE VARIAN DE ESTADO A ESTADO, O PROVINCIA A PROVINCIA.



Distributed by Insignia™ Products
Distribué par Insignia™ Products
Distribuido por Insignia™ Products

7601 Penn Avenue South
Richfield, MN USA 55423-3645
www.Insignia-Products.com

R0

© 2007 Insignia™ Products
All rights reserved. All other products and brand names are trademarks of their respective owners.

© 2007 produits Insignia™
Tous droits réservés. Tous les autres produits ou noms de marques sont des marques de commerce qui appartiennent à leurs propriétaires respectifs.

© 2007 productos Insignia™
Todos los derechos reservados. Todos los demás productos y marcas son marcas comerciales de sus respectivos dueños.